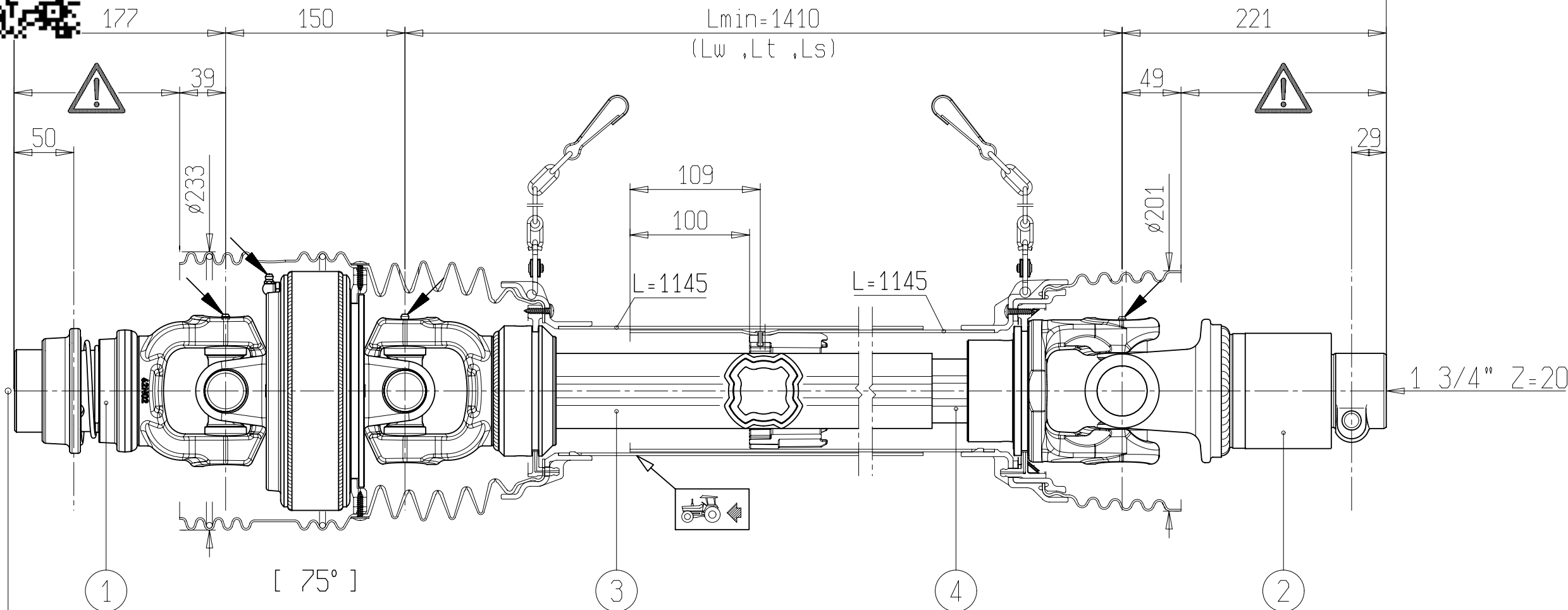




Lmin=1958



WARNING!

SECTIONS OF THE ASSEMBLY ARE NOT SHIELDED AND MUST BE SHIELDED BY AN INTERACTIVE GUARDING SYSTEM. BONDIOLI & PAVESI DECLINES RESPONSIBILITY IF PROPER GUARDS ARE NOT PROVIDED OR MAINTAINED.

**CENTRATURA SECONDO FIUT-07 GRADO 3
STRAIGHTENING ACCORDING TO FIUT-07 GRADO 3**

1	CODICE CODE WSO	LATO TRATTORE TRACTOR SIDE	LATO MACCHINA IMPLEMENT SIDE	TIPO-TYPE SFT-SH	CLIENTE / CUSTOMER 4600031 ALAMO MANUFACTURING SERVICES (UK) L	RIF. CLIENTE / CUSTOMER REF. 5770211
2	CODICE CODE OA9 RL3			DATA / DATE 7/11/2016	DISEGNATO / DESIGNED BY A.Caffagni	
3	L=1215	34.9 112	42.0 107.5	LUNGHEZZA MAX IN LAVORO MAX WORKING LENGTH Lw=1985	TIPO DI MACCHINA / TYPE OF IMPLEMENT MULTICUT 820	
4	RILSAN L=1225	VELOCITA' MAX MAX SPEED 1000 min ⁻¹	M max 6750 Nm	LUNGHEZZA MAX TEMPORANEA MAX TEMPORARY LENGTH Lt=2053	STUDIO / DESIGN TRSHR141005	ORIGINE / ORIGIN DSHR141CEWR0001
				LUNGHEZZA MAX NON IN ROTAZIONE MAX LENGTH AT STANDSTILL Ls=2272	NOTE / NOTES SPECIALE PER CENTRATURA E CONTROLLO ALLUNGAMENTO	CODICE / CODE DSHR141CEWS0002X
						REV. 0